



➔ **Product Type**
Miniature Rocker Switches

➔ **Product Series**
RGSC-Series: Super Corvette

The RGSC-Series Super Corvette rocker switches offer the Corvette styling in a double pole construction with higher electrical ratings and high inrush capabilities. These switches can handle up to 125 amp peak inrush current. Due to the patented mounting ear design, they are compatible with a wide range of standard panel cutouts. These switches offer maintained single throw or double throw circuits. They are available in a range of terminations, and legend options. They also come in a variety of rocker colors and styles. They have a rated life of 50M cycles @ rated load.

Certifications

UL CSA VDE

Number of Poles

1 & 2 pole

Ratings	15A 250VAC 20A 125VAC 3/4HP 125-250VAC 10A 250VAC 3/4HP 15A 125VAC 3/4HP 6A 277VAC 3/4HP 15A 250VAC 20A 125VAC 15A 250VAC 20A 125VAC 14(6) 250VAC 15A 250VAC 20A 125VAC 3/4HP 125-250VAC 14(6) 250VAC
Dielectric Strength	1,000 V RMS (minimum)
Insulation Resistance	100 megohms (minimum)
Base Material	Nylon
Actuator Style	Solid Color Rocker Solid Color Paddle
Actuator Material	Nylon
Terminal Options	.250 QC Tabs Solder Lugs Wire Leads
Mounting Method	Snap-In
Mounting Hole Dimensions	.866" x 1.182"; 22mm x 30mm .872" and 1.00" x 1.072" and 1.125"; 22.15mm and 25.4mm x 27.23mm and 28.58mm
Value Added	Custom colors and legends available Additional ratings available Standard or European base available

RGSC-Series



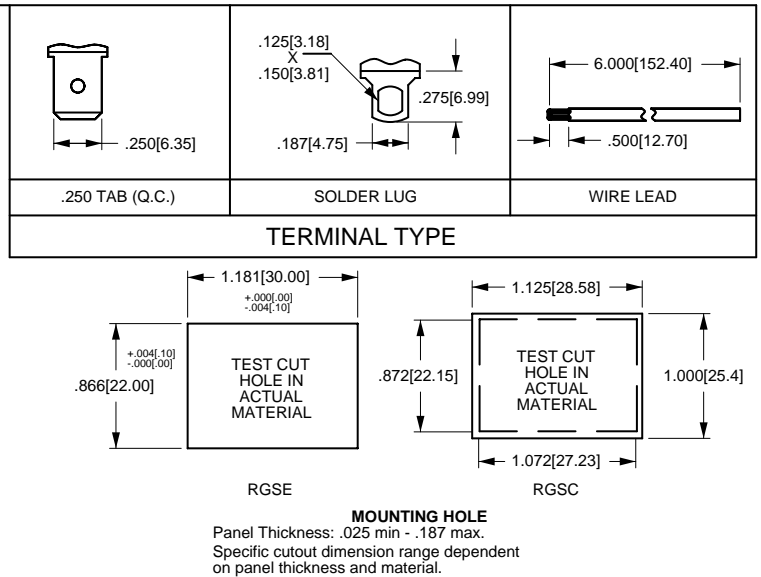
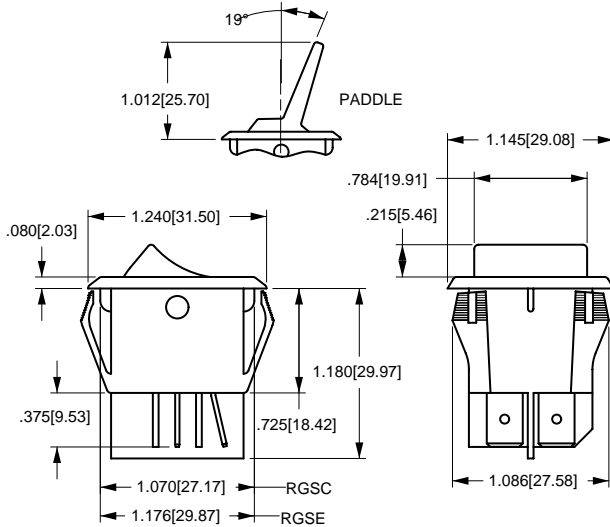
The RGSC-Series Super Corvette rocker switches offer the Corvette styling in a double pole construction with higher electrical ratings and high inrush capabilities. These switches can handle up to 125 amp peak inrush current and can accommodate a wide range of panel cutouts due to the patented mounting ear construction. International ratings are available up to 20 amps.

Specifications

- Certifications*: UL, CSA, VDE
- Dielectric Strength: 1,000V (minimum)
- Insulation Resistance: 100 Megohms (minimum)
- Base Material: Nylon
- Actuator Material: Nylon

* Due to ongoing technological advances, consult factory for certification specifics.

Dimensional Specifications: in. [mm]



RGSC	C	70	1	-	R	-	B	-	B	-	0
SERIES	CIRCUIT¹	RATING²			ACTUATOR STYLE		BASE COLOR³				
RGSC STANDARD BASE RGSB METAL BRACKET RGSE EUROPEAN BASE	A OFF-NONE-ON SINGLE POLE B ON-NONE-ON SINGLE POLE C OFF-NONE-ON DOUBLE POLE D ON-NONE-ON DOUBLE POLE E POLE 1 ON-NONE-ON POLE 2 F POLE 1 ON-NONE-OFF POLE 2 OFF-NONE-ON	20 15A 250VAC 20A 125VAC 21 15A 250 VAC 20A 125VAC 57 10A 250VAC 3/4HP 15A 125VAC 3/4HP 6A 277VAC 3/4HP 70 15A 250VAC 20A 125VAC 3/4HP 125-250VAC 16(6)A 250VAC T85 71 15A 250VAC 20A 125VAC 16(6)A 250VAC T85			P PADDLE R ROCKER ACTUATOR COLOR³ B BLACK W WHITE		ROCKER FACE IMPRINTED LEGEND⁴ 0 NO LEGEND A OFF-ON (VERTICAL) B OFF-ON (HORIZONTAL) D O-I (HORIZONTAL) E O-I (VERTICAL) F ON-OFF (VERTICAL) G ON-OFF (HORIZONTAL)				
			TERMINATION								
			0 SOLDER LUG 1 .250TAB (QC) 5 WIRE LEAD								

NOTES:

Shading indicates standard configurations.

Panel Cut-Out Recommendations: For sheet metal panels, switch must enter panel in same direction as the punch. (Burr on bottom.) Test cut hole in actual material.

1 Circuits E and F available with Rating Codes 20, 21 and 57 only.

2 Additional ratings are available. Consult factory.

3 Custom colors are available. Consult factory.

4 White is standard with dark actuators; black is standard with light actuators.